

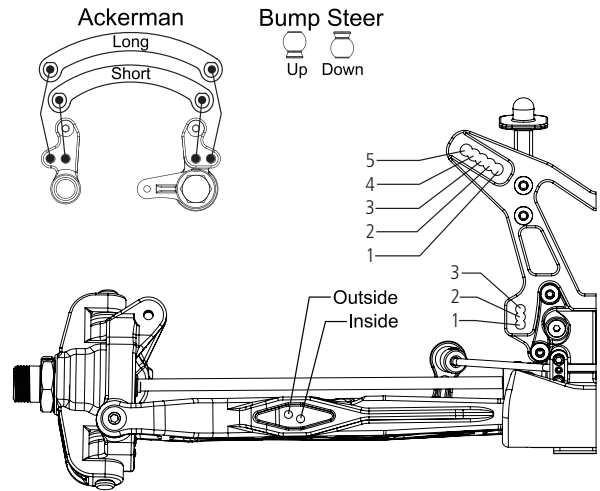
Name: 8IGHT-T 4.0 Standard Setup		Date: _____	Event: _____
City: _____		State: _____	
Track Conditions: <input type="checkbox"/> Indoor <input type="checkbox"/> Tight <input type="checkbox"/> Smooth <input type="checkbox"/> Hard Packed <input type="checkbox"/> Blue Groove <input type="checkbox"/> Wet <input type="checkbox"/> Low Bite <input type="checkbox"/> High Bite		Track: _____	
<input type="checkbox"/> Outdoor <input type="checkbox"/> Open <input type="checkbox"/> Rough <input type="checkbox"/> Loose/Loamy <input type="checkbox"/> Dry <input type="checkbox"/> Dusty <input type="checkbox"/> Med Bite <input type="checkbox"/> Other _____			

Front Suspension

Toe: 1° Toe Out _____
 Ride Height: 38mm _____
 Camber: -2° _____
 Caster: 27° _____
 Spindle Height: High Low _____
 Wheel Hex: Standard Hex _____
 Sway Bar: 2.3mm _____
 Piston/Oil: 8 Hole 1.3mm/37.5 wt _____
 Shock Type: Bladder Emulsion _____
 Spring: Red 5.6 lbs. _____
 Limiter/Droop: 115mm _____
 Overall Shock Length: _____
 Steering Ackerman: Short _____
 Bump Steer: Up _____
 Camber Link: 2 _____
 Shock Location: 3/Inside _____
 Receiver Battery Type: _____

Differentials

Front: Standard Smart _____
 Spring Wire Dia.: _____
 Qty of Springs: _____
 Ramp Plate: _____
 Grease: _____
 Diff Fluid: 7000 wt _____
 Center: Standard Smart _____
 Spring Wire Dia.: _____
 Qty of Springs: _____
 Ramp Plate: _____
 Grease: _____
 Diff Fluid: 10000 wt _____



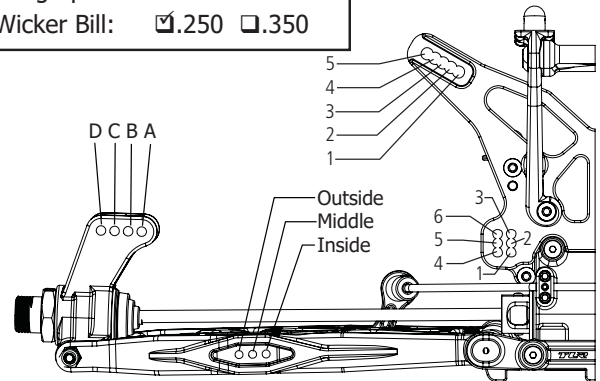
Notes: _____

Rear Suspension

Roll Center: HRC LRC _____
 Toe: 3° _____
 Anti-Squat: 3° _____
 Ride Height: 40mm _____
 Camber: -2° _____
 Rear Hub Spacing: Back _____
 Wheel Hex: Standard Hex _____
 Sway Bar: 2.5mm _____
 Piston/Oil: 8 Hole Split 1.2mm & 1.3mm/32.5wt _____
 Shock Type: Bladder Emulsion _____
 Spring: White 5.6 lbs _____
 Limiter/Droop: 128mm _____
 Overall Shock Length: _____
 Camber Link: 2/B _____
 Shock Position: 3/Middle _____
 Rear Diff Fluid: 7000 wt _____

Wing Setup

Wing Type: 2.0 3.0 _____
 Wing Spacer: .250 .500 _____
 Wicker Bill: .250 .350 _____

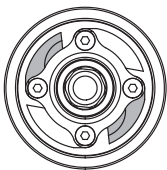


Notes: _____

Engine

Engine: _____ Fuel: _____
 Glow Plug: _____ Head Clearance _____
 Pipe/Header: _____ Gearing: _____

Clutch



Clutch Shoes and Springs Info

- (2) Aluminum Shoes with Gold Springs _____
- (2) Composite Shoes with Green Springs _____

Tires

Type Compound Insert

Front: _____
 Rear: _____
 Notes: _____