

Name: Reno Savoya
 City: Lyon State: France

Date: 06/04/2019 Event: French Nats Rd2
 Track: RACG Grenoble (dry)



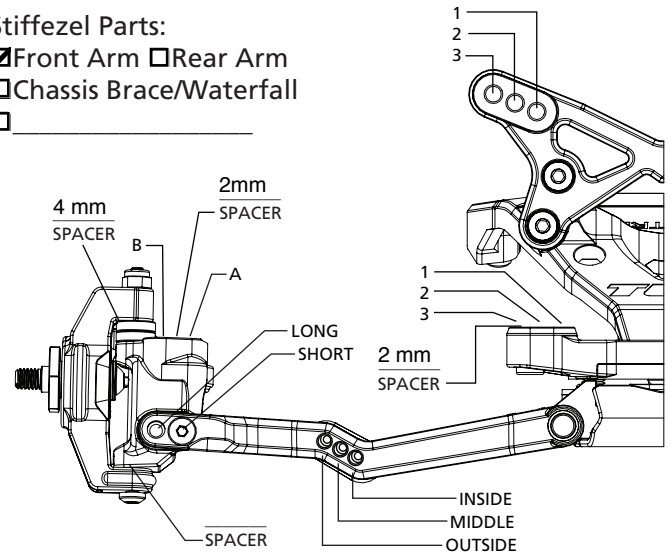
Track Dirt Carpet Tight Smooth Hard Packed Dry Grip Level: Low Medium High
 Conditions: Clay Astro Turf Open Rough Loamy Wet Tread Level: Pin Ghost Pin Slicks

Front Suspension

Toe: 1° out Camber: -1°
 Ride Height: 18 mm Caster Block: 0° 5°
 Kick Shim(s): 2mm 1mm Wedge(20°) Other:
 VLA Setting: Short Arm Long Arm
 Front Pivot: Alum Composite Brass
 Pivot Height: SLRC LRC MRC HRC
 Piston: 2x1.7mm Oil: 37.5 wt
 Limiters: Internal: 2mm External: 0 Stroke: 22 mm
 Shock Eyelet: Std. +2 Shock Location: 2 - middle
 Spring: LF Sky Blue TLR223052 Sway Bar: none
 Spindle Steering Arm: 4 5 6
 Spindle Ball Stud: Standard Low Spacers:
 Draglink Ball Stud: Standard Low Spacers:
 Axle Spacing: 0 +.5mm +1mm
 Trail: 2mm 3mm 4mm
 Camber Link, Inner: 1 2 3 Outer: A B
 Tower: Stiffezel Carbon Carbon +2mm
 Mud Guard: Soft Standard Stiffezel
 Front Wheels: Standard Stiffezel
 Front Wing: Low High Narrow High Wide

Stiffezel Parts:

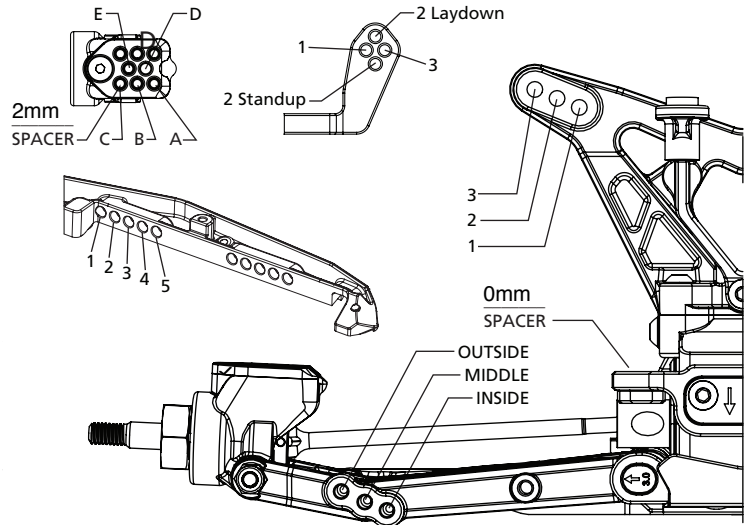
Front Arm Rear Arm
 Chassis Brace/Waterfall



Notes: Brass Kick shim #TLR1049

Rear Suspension

Configuration: Laydown Standup
 Diff. Height: 0 +1 +1.75 + 2.5 +3.5
 Axle Height: 0 +3
 Toe Plate: LRC LRC -2° HRC HRC -2°
 Toe Inserts: 2.5 3.0 3.5 4.0 Arrow: In Out
 Anti-Squat Inserts: 0 0.5 1 1.5 2 2.5 3
 Ride Height: 18 mm Camber: -1.5°
 Hub Spacing: 2mm Fr 2mm Rr Hex Width: std
 Piston: 2x1.9mm Oil: 37.5 wt
 Spring: LF Pink TLR233058 Sway Bar: none
 Limiters: Internal: 0 External: 0 Stroke: 32 mm
 Shock Eyelet: Std. +2 Shock Location: 2 - Middle
 Shock Mounting: Front Rear
 Tower: Stiffezel Carbon Carbon +2mm
 Camber Block Spacer: 1mm ↓ 0mm 1mm ↑
 Camber Link, Inner: 1 2 3
 Camber Link, Outer: A B C D E
 Battery Position: 1 2 3 4 5
 Wing/Wickerbill: Stock, Line #2
 Wing Angle: 0° 2° 4°
 Diff Type: Ball Gear Setting: 7 000
 Driveshaft Length: CVA Universal Length: stock 68mm
 Direct Drive Slipper Pads: Torque (yel) Drive (org)



Electronics

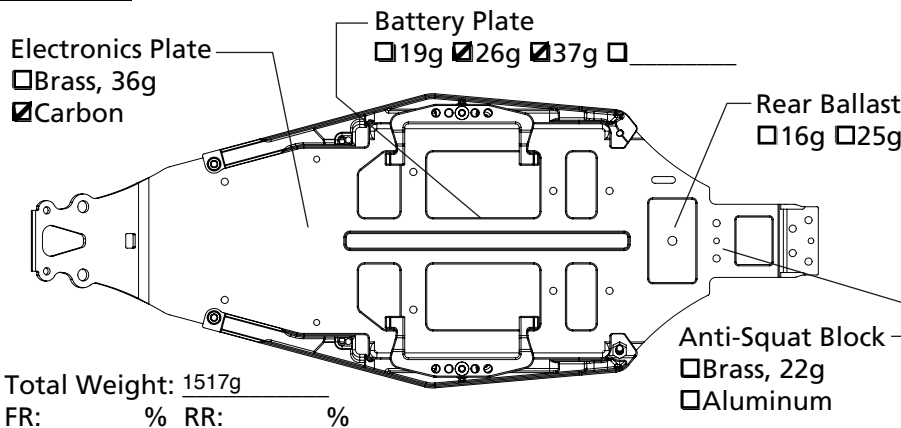
Radio: Spektrum Timing Advance: 0
 Servo: Highest DLP750 Steering Expo: Speed -10/-10
 ESC: RC Concept SC10R Throttle/Brake EPA: 100/80
 Initial Brake: Drag Motor: RC Concept 6.5T
 Drag Brake: 2 Pinion: 21 Spur: 78
 Throttle Profile: Line Battery: RC Concept Omega 4800
 Battery Weight:

Tires

	Front	Rear
Thread:	JC Swaggers	Handout
Compound:		
Insert:		
Sauce:		

Notes: Wing raised 4mm

Chassis



Total Weight: 1517g
 FR: % RR: %