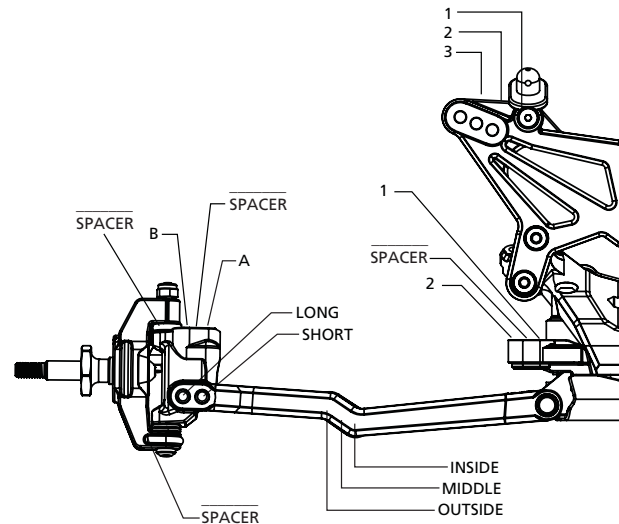


Name: _____	Date: _____	Event: _____
City: _____	State: _____	Track: _____

Track Conditions:  Indoor  Tight  Smooth  Hard Packed  Blue Groove  Wet  Grass  Low Bite  High Bite  
 Outdoor  Open  Rough  Loose/Loamy  Dry  Dusty  Astro Turf  Med Bite  Other \_\_\_\_\_

### Front Suspension

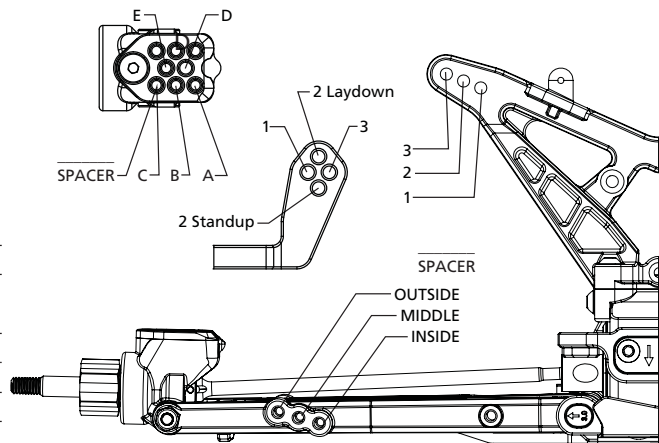
Toe: \_\_\_\_\_  
 Ride Height: \_\_\_\_\_ Camber: \_\_\_\_\_  
 Caster:  0°  5°  
 Kick Angle:  20°  25°  30°  
 VLA Setting:  Short Arm  Long Arm  
 Front Pivot:  Alum  Plastic  HRC  Alum HRC  
 Kick Shim:  Brass  Plastic  
 Oil: \_\_\_\_\_  
 Piston: \_\_\_\_\_  
 Spring:  Standard  Low Freq. Color: \_\_\_\_\_  
 Sway Bar:  0.8mm  1.0mm  1.2mm  \_\_\_\_\_  
 Shock Limiters: \_\_\_\_\_ Stroke: \_\_\_\_\_  
 Shock Locations: \_\_\_\_\_  
 Spindle Ball Stud:  Standard  Low Mount  
 Bump Steer Spacers: \_\_\_\_\_  
 Ackerman Ball Stud:  Standard  Low Mount  
 Ackerman Spacers: \_\_\_\_\_  
 Ackerman Arm:  #1  #2  #3  \_\_\_\_\_  
 Trail:  2mm  3mm  4mm  
 Camber Link: \_\_\_\_\_



Notes: \_\_\_\_\_  
 \_\_\_\_\_  
 \_\_\_\_\_

### Rear Suspension

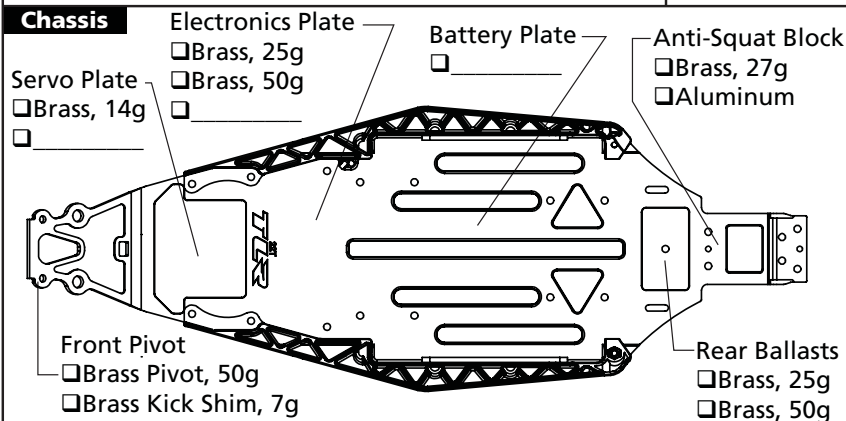
Configuration:  Laydown  Standup  
 LD Diff. Height:  Standard  +3.5mm  
 Transmission Type:  3-Gear  4-Gear  
 Toe Inserts:  0.5  1  1.5  2  2.5  3  3.5  4  
 Anti-Squat Inserts:  0  0.5  1  1.5  2  2.5  3  
 Inner Roll Center:  LRC  HRC  
 Ride Height: \_\_\_\_\_ Camber: \_\_\_\_\_  
 Rear Hub Spacing: \_\_\_\_\_  
 Rear Axle Height:  Standard  +3mm  
 Hex Width: \_\_\_\_\_  
 Sway Bar:  1.0mm  1.2mm  1.4mm  \_\_\_\_\_  
 Oil: \_\_\_\_\_  
 Piston: \_\_\_\_\_  
 Spring:  Standard  Low Freq. Color: \_\_\_\_\_  
 Shock Limiters: \_\_\_\_\_ Stroke: \_\_\_\_\_  
 Shock Locations: \_\_\_\_\_  
 Shock Mounting:  Front  Rear  
 Inner Link Spacer:  -1mm  0mm  +1mm  
 Camber Link: \_\_\_\_\_  
 Battery Position: \_\_\_\_\_  
 Diff Type:  Ball  Gear Setting: \_\_\_\_\_  
 Driveshaft Length:  CVA  Universal Length: \_\_\_\_\_



### Electronics

Radio: _____	Timing Advance: _____
Servo: _____	Throttle/Brake Expo: _____
ESC: _____	Servo Expo: _____
Initial Brake: _____	Throttle/Brake EPA: _____
Drag Brake: _____	Motor: _____
Throttle Profile: _____	Pinion: _____ Spur: _____
	Battery: _____

### Chassis



### Tires

	Front	Rear
Tire: _____		
Compound: _____		
Insert: _____		
Additive: _____		

Notes: \_\_\_\_\_  
 \_\_\_\_\_  
 \_\_\_\_\_