

Name: Kit Setup - Spec Racer Date: _____ Event: _____
 City: _____ State: _____ Track: _____

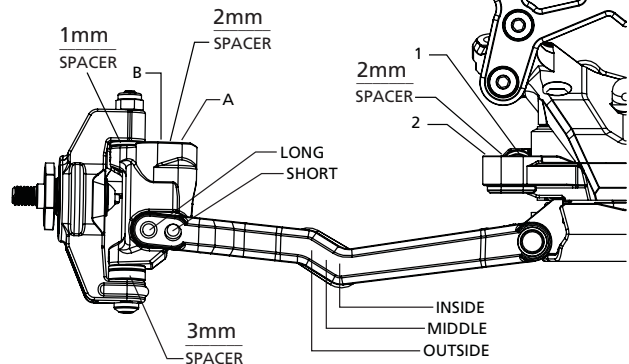


Track Indoor Tight Smooth Hard Packed Blue Groove Wet Grass Low Bite High Bite
 Conditions Outdoor Open Rough Loose/Loamy Dry Dusty Astro Turf Med Bite Other _____

Front Suspension

Toe: +/- 0 deg
 Ride Height: 23mm Camber: -1 deg
 Caster: 0° 5°
 Kick Angle: 20° 25° 30°
 VLA Setting: Short Arm Long Arm
 Front Pivot: Alum Plastic HRC Alum HRC
 Kick Shim: Brass Plastic
 Oil: 32.5 wt
 Piston: 2 x 1.6mm (TLR233009)
 Spring: Standard Low Freq. Color: Silver
 Sway Bar: 0.8mm 1.0mm 1.2mm
 Shock Limiters: 1mm Stroke: 22mm
 Shock Locations: 1 - Middle
 Spindle Ball Stud: Standard Low Mount
 Bump Steer Spacers: 1mm
 Ackerman Ball Stud: Standard Low Mount
 Ackerman Spacers: 1mm
 Ackerman Arm: #1 #2 #3
 Axle Spacing: 0 +0.5mm +1mm
 Trail: 2mm 3mm 4mm
 Camber Link: 2 - B

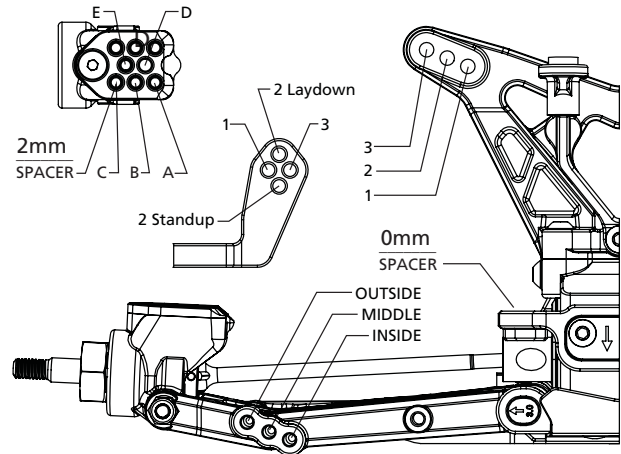
- Stiffezel Parts:
Front Arm Rear Arm
Chassis Brace
Front Camber Block



Notes: _____

Rear Suspension

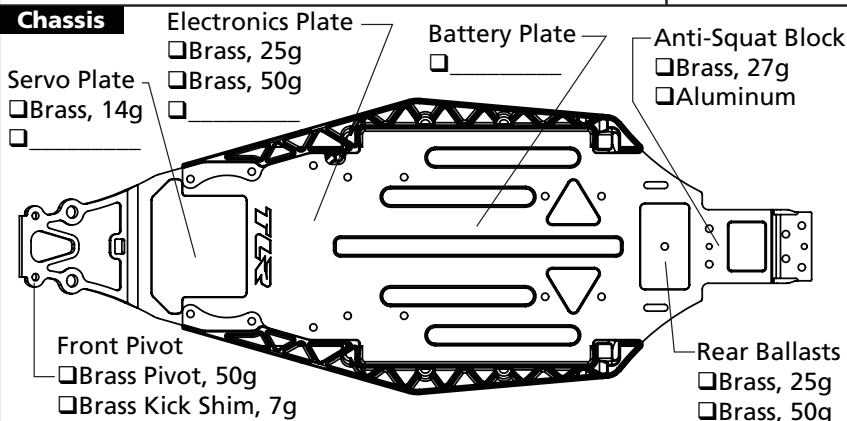
Configuration: Laydown Standup
 LD Diff. Height: Standard +3.5mm
 Transmission Type: 3-Gear 4-Gear
 Toe Inserts: 0.5 1 1.5 2 2.5 3 3.5 4
 Anti-Squat Inserts: 0 0.5 1 1.5 2 2.5 3
 Inner Roll Center: LRC HRC
 Ride Height: 23mm Camber: -1.5 deg
 Rear Hub Spacing: Middle (2mm front, 2mm rear)
 Rear Axle Height: Standard +3mm
 Hex Width: Standard
 Sway Bar: 1.0mm 1.2mm 1.4mm
 Oil: 32.5 wt
 Piston: 2 x 1.7mm (TLR233010)
 Spring: Standard Low Freq. Color: White
 Shock Limiters: 1mm Stroke: 29mm
 Shock Locations: 2 - Middle
 Shock Mounting: Front Rear
 Inner Link Spacer: -1mm 0mm +1mm
 Camber Link: 2 (Standard) - E
 Wing/Wickerbill: 6.5" - 1 line wicker
 Wing Angle: 0° 2° 4°
 Battery Position: Shorty with battery strap
 Diff Type: Ball Gear Setting: Normal, 3/4-1 Rotation
 Driveshaft Length: CVA Universal Length: 67mm



Electronics

Radio: _____ Timing Advance: _____
 Servo: _____ Throttle/Brake Expo: _____
 ESC: _____ Servo Expo: _____
 Initial Brake: _____ Throttle/Brake EPA: _____
 Drag Brake: _____ Motor: _____
 Throttle Profile: _____ Pinion: _____ Spur: 69T
 Battery: _____

Chassis



Tires

	Front	Rear
Tire:	_____	_____
Compound:	_____	_____
Insert:	_____	_____
Additive:	_____	_____
Notes:	_____	
