

Name: <b>Kit Setup</b>		Date: _____	Event: _____
City: _____ State: _____		Track: _____	
Track Conditions	<input type="checkbox"/> Indoor <input type="checkbox"/> Tight <input type="checkbox"/> Smooth <input type="checkbox"/> Hard Packed <input type="checkbox"/> Blue Groove <input type="checkbox"/> Wet <input type="checkbox"/> Grass <input type="checkbox"/> Low Bite <input type="checkbox"/> High Bite		
	<input type="checkbox"/> Outdoor <input type="checkbox"/> Open <input type="checkbox"/> Rough <input type="checkbox"/> Loose/Loamy <input type="checkbox"/> Dry <input type="checkbox"/> Dusty <input type="checkbox"/> Astro Turf <input type="checkbox"/> Med Bite <input type="checkbox"/> Other _____		

### Front Suspension

Toe: +/- 0 deg.

Ride Height: 22mm

Camber: -1 deg.

Caster:  10°  12.5°  15°  20°

Diff. Type:  Ball  Gear Setting/Oil: 50,000 cs

Driveshaft Type:  CVA  Universal

Front Drive:  Full-Time 4WD  Clicker: \_\_\_\_\_

Sway Bar:  None  White  Yellow  Pink

Oil: 37.5 wt TLR

Piston: 2 x 1.5mm (TLR233008)

Spring:  Standard  Low Freq. Color: Blue 22T

Shock Limiters: 3mm Stroke: \_\_\_\_\_

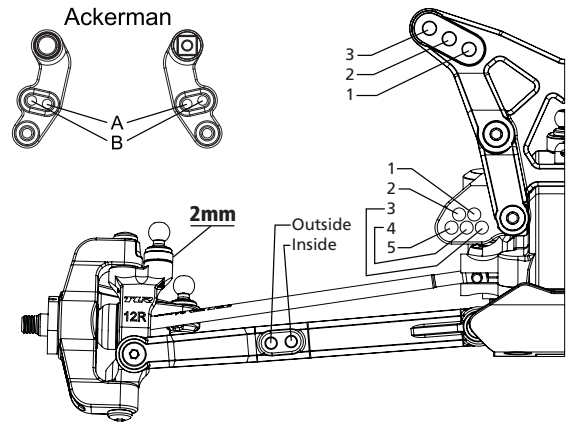
Shock Location: 1 - Inside

Bump Steer Ball Stud:  Standard  Low Mount

Bumper Steer Spacers: 1mm

Camber Link: 1 - A

Ackermann:  A  B  Adjustable: \_\_\_\_\_



Notes: \_\_\_\_\_

\_\_\_\_\_

\_\_\_\_\_

### Rear Suspension

Toe:  2.0°  2.5°  3.0°

Anti-Squat:  1°  2°  2.5°  3°

Roll Center:  Low Roll Center (LRC)  High Roll Center (HRC)

Ride Height: 21mm

Camber: -1.5 deg.

Diff. Type:  Ball  Gear Setting/Oil: 50,000 cs

Driveshaft Type:  CVA  Universal

Rear Hub Spacing: 2mm Front, 4mm Rear

Hex Width: 22 Std.

Sway Bar:  None  White  Yellow  Pink

Oil: 32.5 wt. TLR

Piston: 2 x 1.7mm (TLR233010)

Spring:  Standard  Low Freq. Color: Yellow

Shock Limiters: 1mm Stroke: \_\_\_\_\_

Camber Link: 2 - D

Shock Locations: 1 - Inside

Wing/Wickerbill: Low Line

Battery Type:  Shorty  Saddles

Battery Position: Forward

Rear Suspension:  22 Hub/Hex  22-4 Hub/Hex

Rear Shock Orientation:  Front of Arm  Rear of Arm

### Electronics

Timing Advance: \_\_\_\_\_

Radio: \_\_\_\_\_ Throttle/Brake Expo: \_\_\_\_\_

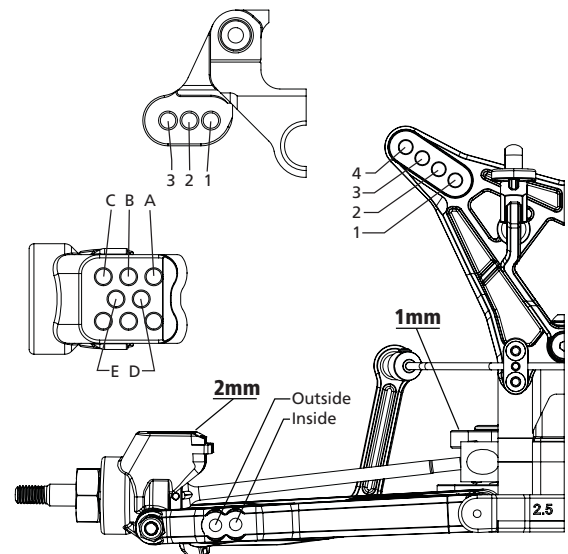
Servo: \_\_\_\_\_ Servo Expo: \_\_\_\_\_

ESC: \_\_\_\_\_ Throttle/Brake EPA: \_\_\_\_\_

Initial Brake: \_\_\_\_\_ Motor: \_\_\_\_\_

Drag Brake: \_\_\_\_\_ Pinion: \_\_\_\_\_ Spur: 84T

Throttle Profile: \_\_\_\_\_ Battery: \_\_\_\_\_



Notes: \_\_\_\_\_

\_\_\_\_\_

\_\_\_\_\_

Tires	Compound	Insert	Additive
Front: _____	_____	_____	_____
Rear: _____	_____	_____	_____