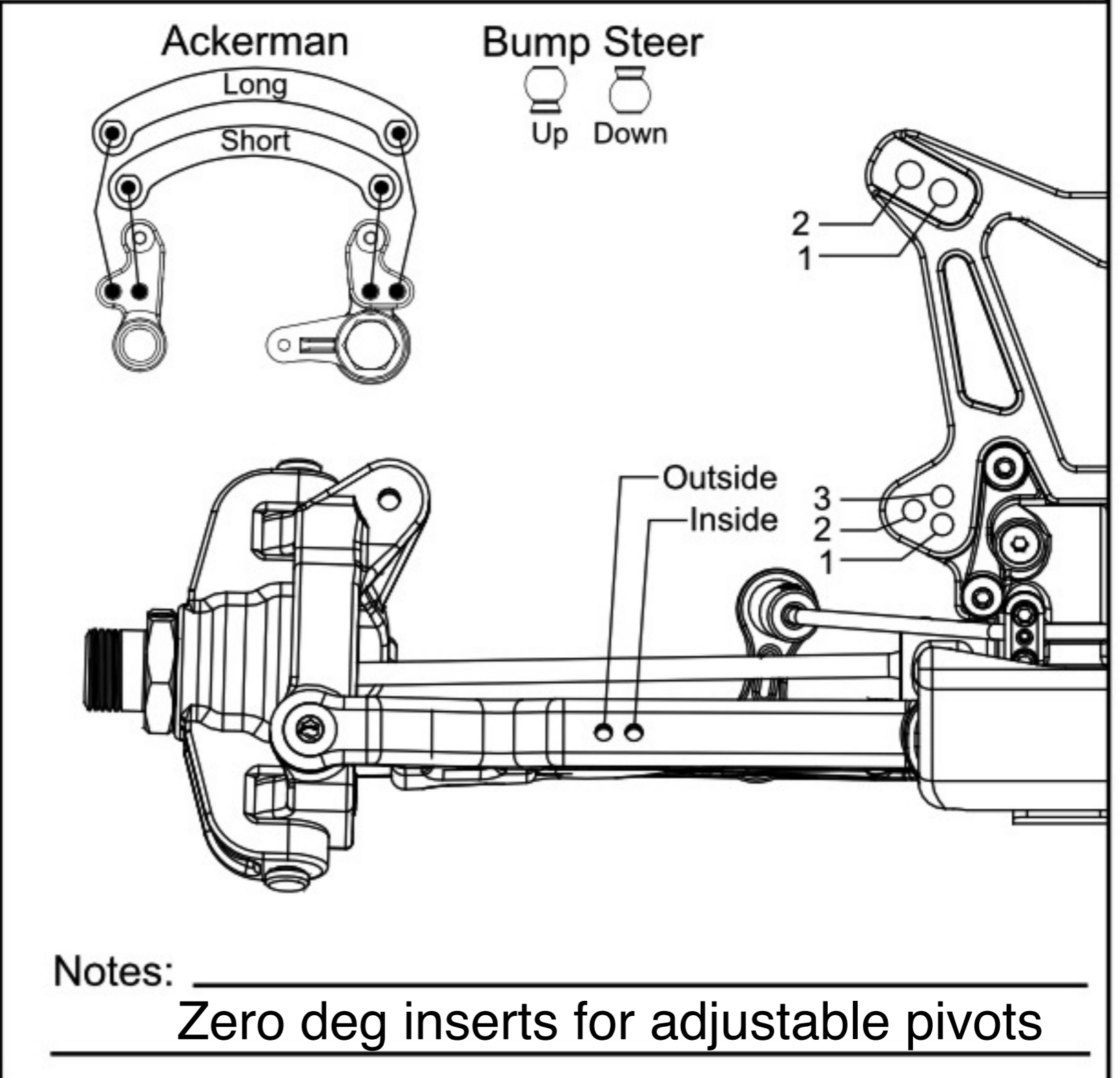


Name: Casey Peck Date: _____ Event: _____
 City: _____ State: _____ Track: _____

Track Conditions: Indoor Tight Smooth Hard Packed Blue Groove Wet Low Bite High Bite
 Outdoor Open Rough Loose/Loamy Dry Dusty Med Bite Other _____

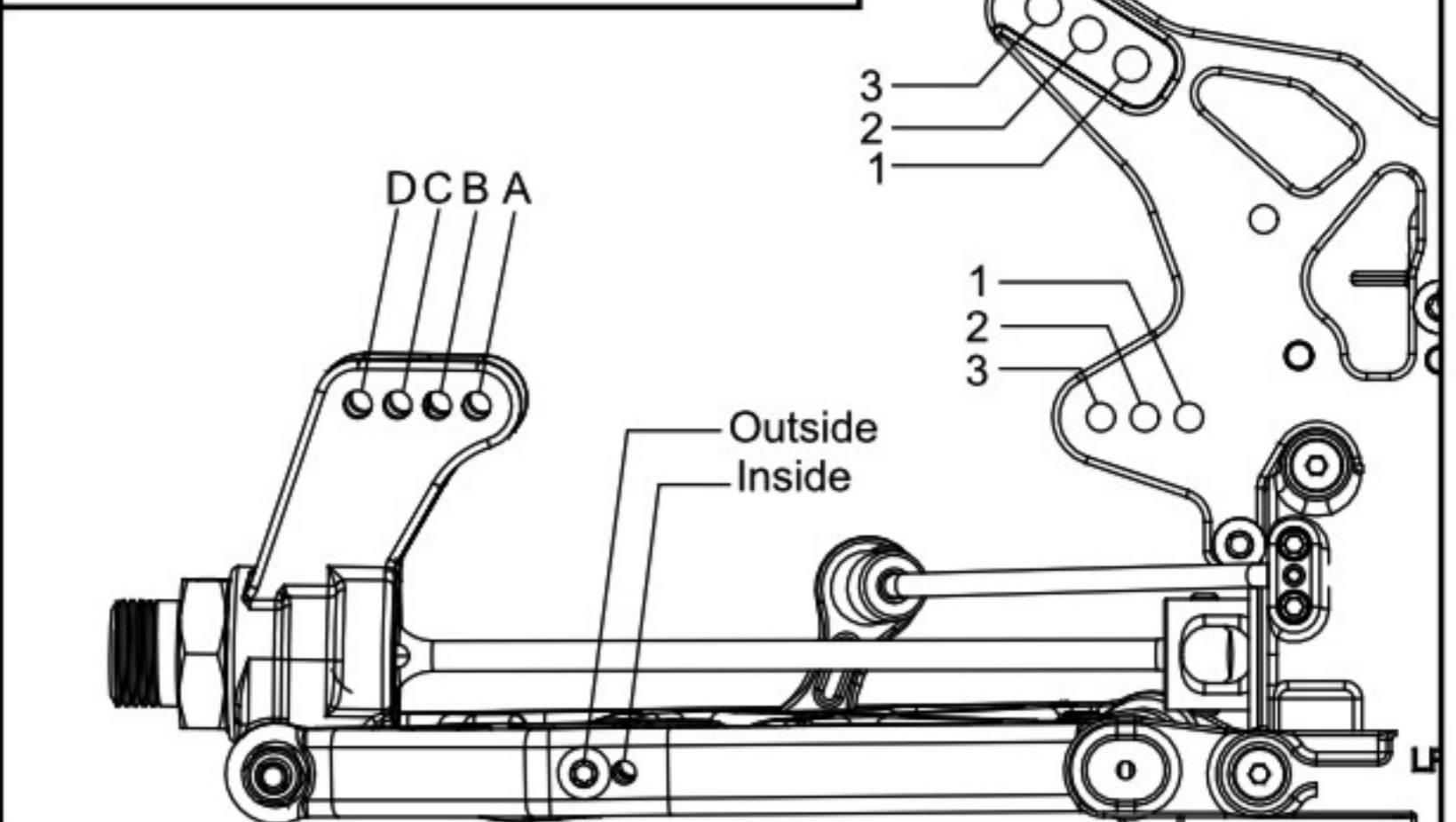
Front Suspension
 Toe: 2 out
 Ride Height: 29mm
 Camber: -2
 Caster: 15
 Wheel Hex: Std
 Sway Bar: 2.5
 Piston/Oil: 1.3 32.5wt
 Spring: 4.6
 Limiter/Droop: _____
 Overall Shock Length: 104mm
 Steering Ackerman: Short
 Bump Steer: Balls up
 Camber Link: 1
 Shock Location: 2 outside
 Receiver Battery Type: Lipo

Differentials
 Front: Standard Smart
 Spring Wire Dia: _____
 Qty of Springs: _____
 Ramp Plate: _____
 Grease: _____
 Diff Fluid: 5000
 Center: Standard Smart
 Spring Wire Dia: _____
 Qty of Springs: _____
 Ramp Plate: _____
 Grease: _____
 Diff Fluid: 7000



Rear Suspension
 Roll Center: HRC LRC
 Toe: 3
 Anti-Squat: 3
 Ride Height: 29
 Camber: -3
 Rear Hub Spacing: Back
 Wheel Hex: +1
 Sway Bar: 2.5
 Piston/Oil: 1.3/1.2 30wt
 Spring: 3.4
 Limiter/Droop: _____
 Overall Shock Length: 110mm
 Camber Link: 1-C
 Shock Location: 2 outside
 Rear Diff Fluid: 3000

Wing Setup
 Wing Type: 2.0 3.0
 Wing Spacer: .250 .500
 Wicker Bill: .250 .350



Engine Orion b321
 Engine: _____ Fuel: Nitrotane 30%
 Glow Plug: Odonnell 77t Head Clearance: _____
 Pipe/Header: 2013 Gearing: 13/48

Clutch Clutch Shoes and Springs Info
2 carbon w/gold 2 alum w/green

Tires

Type	Compound	Insert
Front: _____	_____	_____
Rear: _____	_____	_____
Notes: _____	_____	_____