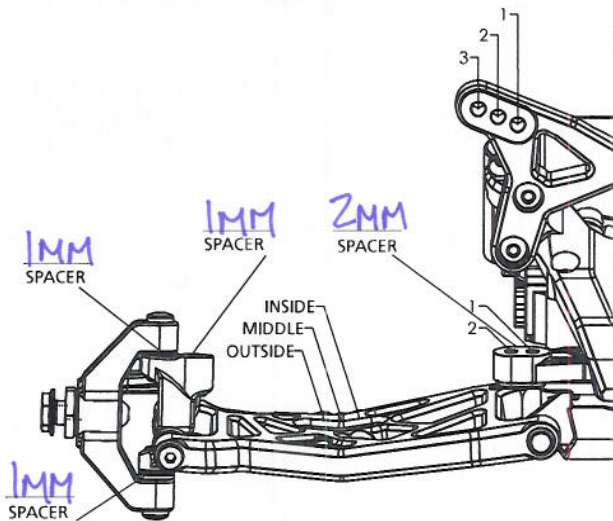


Name: JR MITCH Date: 3/31/2012 Event: SUPER CUP
 City: TAMPA State: FL Track: LAKE PARK.

Track Conditions: Indoor Tight Smooth Hard Packed Blue Groove Wet Grass Low Bite High Bite
 Outdoor Open Rough Loose/Loamy Dry Dusty Astro Turf Med Bite Other _____

Front Suspension

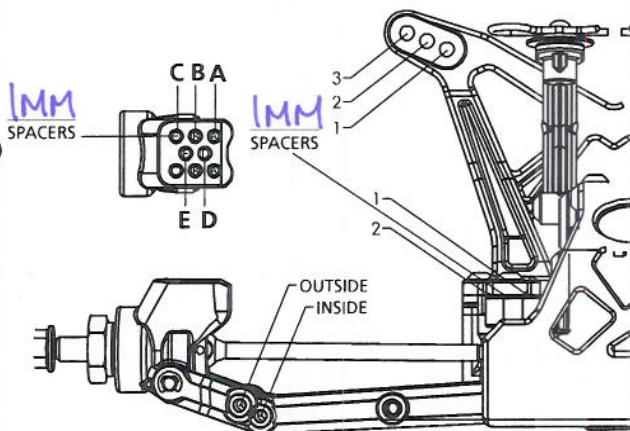
Toe: 0°
 Ride Height: 24MM
 Camber: -1
 Caster: 0° 3° 5° 10°
 Kick Angle: 20° 25° 30°
 Sway Bar: N/A
 Oil: 27.5
 Piston: 55
 Spring: RED
 Spindle Type: Inline Trailing
 Shock Limiters: 3MM
 Shock Location: 2-MIDDLE
 Bump Steer: 1MM
 Camber Link: 1-INSIDE



Notes: GRAY O-RINGS
REAR SHOCK ENDS OUT 1 TURN

Rear Suspension

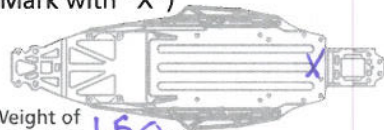
Chassis Configuration: Rear Motor Mid Motor
 Toe: 3 DEG LRC
 Anti-Squat: 2 DEG
 Roll Center: Low Roll Center (LRC) High Roll Center (HRC)
 Ride Height: 24MM
 Camber: -.5MM
 Rear Hub Spacing: MIDDLE
 Hex Width: +.75
 Sway Bar: N/A
 Oil: 27.5
 Piston: 55
 Spring: YELLOW
 Shock Limiters: NONE
 Camber Link: 1-B
 Shock Locations: 2-INSIDE
 Wing/Wickerbill: JC WING / 8MM
 Battery Position: ORION 5500 FORWARD



Electronics

Radio: DX3R PRO Timing Advance: 0
 Servo: 6040 Throttle/Brake Expo: -15/-10
 ESC: R10 PRO Servo Expo: 0
 Initial Brake: N/A Throttle/Brake EPA: 100/80
 Drag Brake: N/A Motor: 2.5 ORION
 Throttle Profile: L Pinion: 21 Spur: 76
 Battery: ORION 5500

Weight Placement (Mark with "X")



Weight of each piece 1.5 oz./g

Tires	Compound	Insert	Additive
Front: <u>DP'S</u>	<u>GREEN</u>	<u>STOCK</u>	<u>N/A</u>
Rear: <u>30'S</u>	<u>GREEN</u>	<u>STOCK</u>	<u>N/A</u>

Notes: _____